

RUN-ON TIMERS

DIRECT WIRED TYPE - VZ



The VZ run-on timer is designed to permit the supply of electricity to motors so they can continue to operate for a predetermined time.

They are designed to be mounted within equipment or enclosures.

They can be used with single or three-phase motors.

Warning

Check with our sales department before using a run-on timer with a VA controller.

Not to be used with fans with EC motors or inverters.

TECHNICAL DATA

Model Number	Run-On Time	Start Delay	Max. Amps	Dimensions, mm
VZ24C	Up to 24 min*	Up to 150 sec		
VZ6	6 min	50 sec	1.25**	32W x 13H x 17D
VZ12	12 min	50 sec		

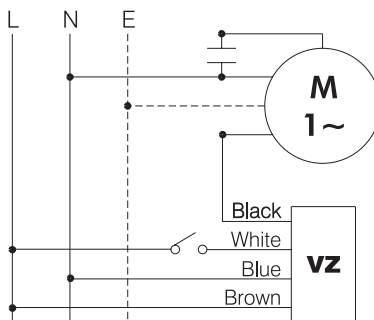
Enclosure rating - IP40

* 1.5 min increments

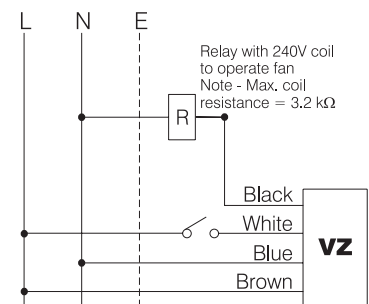
** Minimum amps: 0.075

WIRING DIAGRAM

Single-phase motors to 1.25 Amps



Single phase motors above 1.25 Amps and all three phase motors



DIRECT WIRED SUPPLY WITH PLUG-IN OUTLET SINGLE SWITCH INPUT

TYPE - VZ-TS



Model Number	Run-On Time	Start Delay	Max. Amps	Enclosure Size, mm
VZ2-10TS	2-10 min	n/a	5	153W x 110H x 60D

The VZ2-10TS plug-in run-on timer is designed to permit the supply of electricity to motors so they can continue to operate for a predetermined time.

This unit is designed for single-phase fans with a 3-pin plug fitted. The mains connection is wired directly into the terminals of the run-on timer; **no 4-pin outlet is required.**

Run-on time is adjustable from 2-10 minutes.

Warning

Not to be used with fans with EC motors or inverters.

SUGGESTED WIRING ARRANGEMENT

